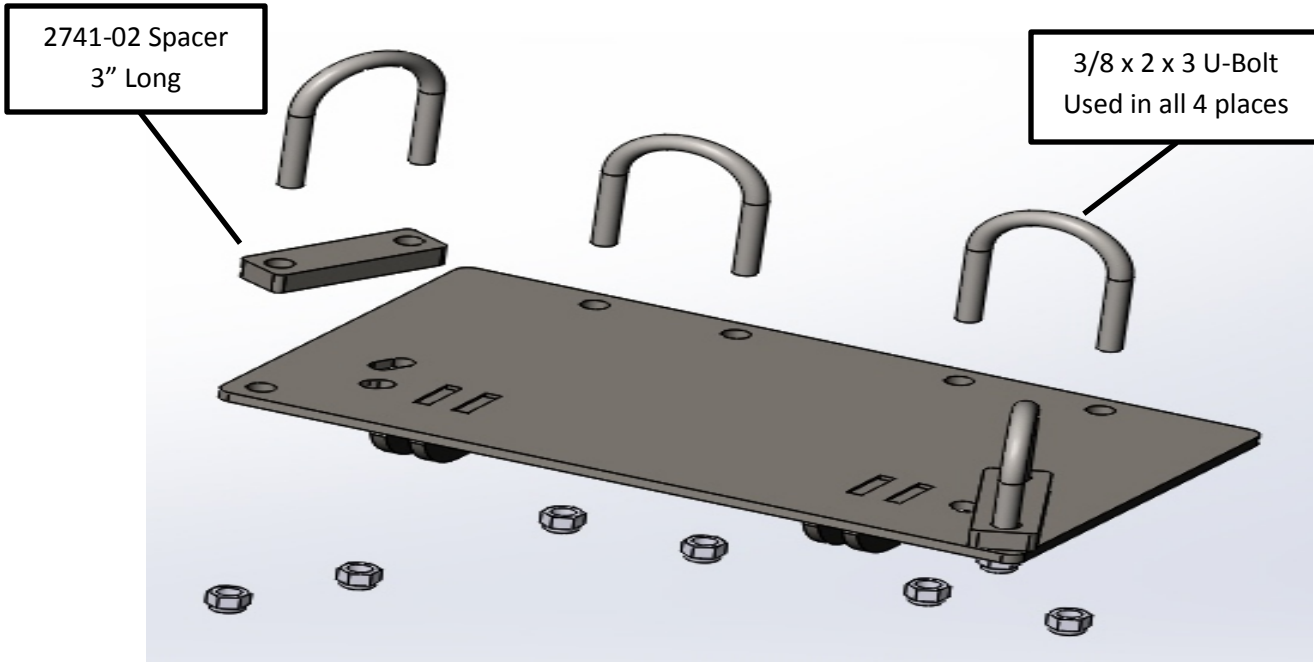




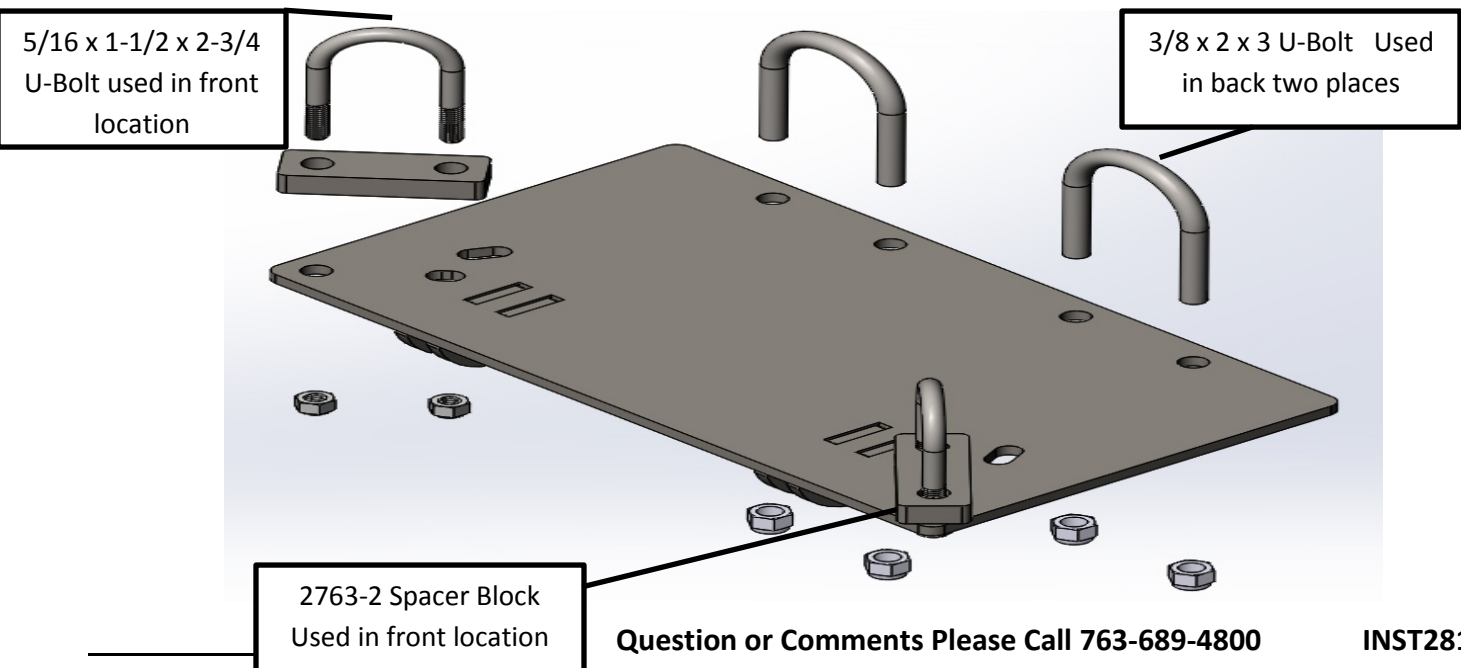
MOOSE PLOW MOUNT INSTALLATION INSTRUCTIONS
2015-2016 POLARIS RZR 900/900S/XC & 1000
2016 POLARIS GENERAL 1000
PART# 4501-0550

QTY.	PART#	DESCRIPTION
1	2818-100	Bottom Mount Plate
2	2741-02	Spacer Blocks
2	2763-2	Spacer Blocks
4	HDW2145	3/8 x 2 x 3 U-Bolt
2	HDW9218	5/16 x 1-1/2 x 2-3/4 U-Bolt
8	HDW7061	3/8 Nylock Nut
4	HDW7058	5/16 Nylock Nut
2	HDW9001	3/8 Flat washer
4	HDW9002	5/16 Flat Washer

2016 Polaris General 1000 configuration



2015-2016 Polaris RZR 900/900S/XC 2014-2016 Polaris RZR 1000 Configuration



Question or Comments Please Call 763-689-4800

INST2818

BOTTOM MOUNT INSTALLATION INSTRUCTIONS POLARIS RZR 1000

1 - Hang u-bolts over the main frame tubes as illustrated. The tabs on the mount go forward toward the front of the machine. NOTE: The bottom skid can either be removed for installation, or can be drilled for the u-bolts to hang through.

2 - On the front use the 5/16 x 1-1/2 x 2-3/4 u-bolts over the angled frame tube where it meets up with the main frame tube as shown. Place two of the 3/8 x 2 x 3 u-bolts over the main frame tube by the cross member as shown. Install the mount plate over the u-bolts but make sure to use the short spacer blocks between the mount and frame on the front set of u-bolts. Secure in place with the correct size nylock nuts and washer for each pair of u-bolts. Align and tighten, make sure to re-tighten after the first couple of uses.



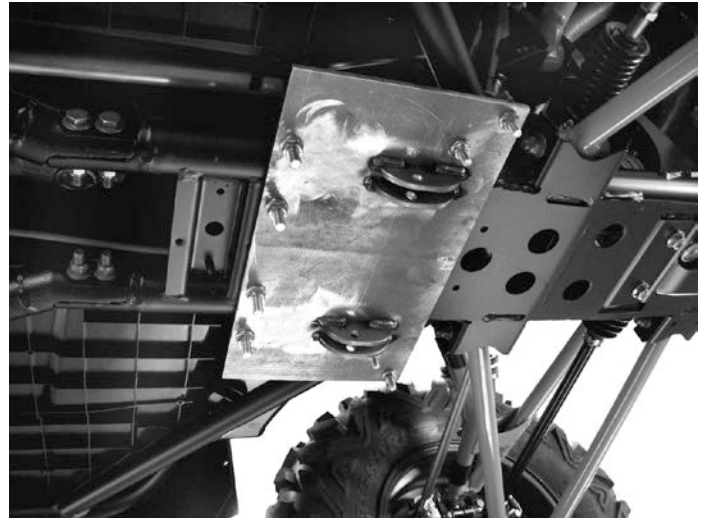
U-bolt placement on the frame tubes.



Install spacer between mount and frame.



Place the over the u-bolts and secure with washers and nylock nuts.



Complete installation shown here.

BOTTOM MOUNT INSTALLATION INSTRUCTIONS

Some of the new models will have a larger angled frame tube and will require mounting up the plate using all 4 of the 3/8 x 2 x 3 U-bolts. You will also need to use the wider spacer block to accommodate for this. They will also go on at a slightly different angle as shown in the picture. Spacer block must go between frame tube and plow mount.

Align the mount plate and tighten the bolts securely.

You can mount over the skid plate but you will have line up the plate and mark the hole and drill through the skid plate for the u-bolts to hang through.

